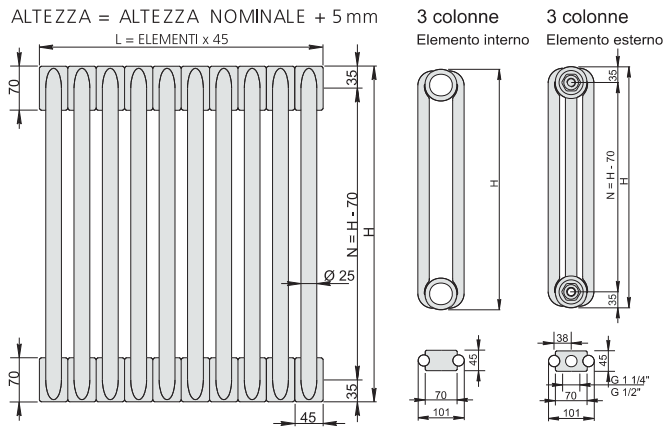


Original Plus - 3 Colonne/Columns



I radiatori Original Plus vengono forniti con i seguenti accessori compresi nel prezzo:

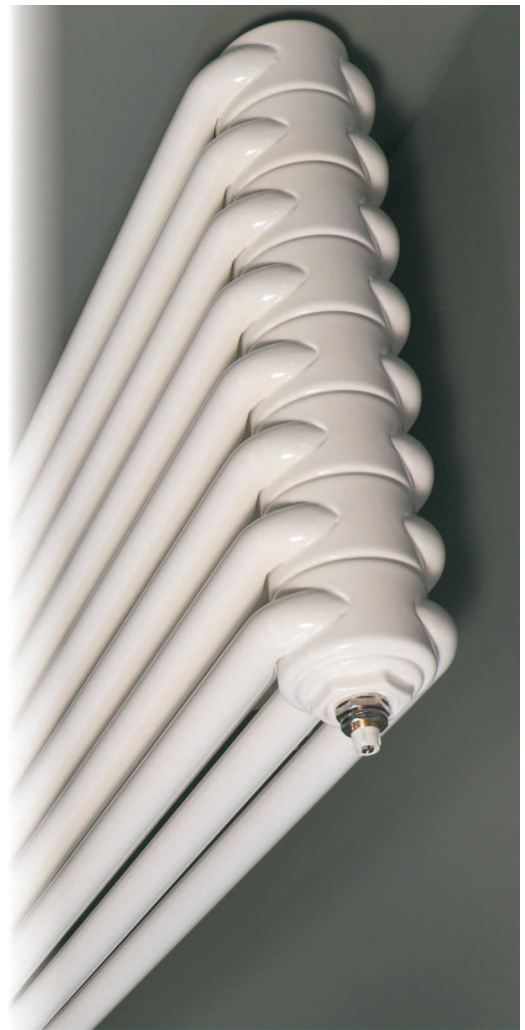
4 riduzioni G 1 1/4" - G 1/2" montate e collaudate in azienda, 1 tappo cieco G 1/2", 1 valvolina di sfiato orientabile.

La larghezza indicata non tiene conto dell'ingombro delle riduzioni.

Original Plus radiators are supplied with the following accessories included in the price:

4 reductions G 1 1/4" - G 1/2" mounted and tested in the company, 1 blind plug G 1/2", 1 adjustable vent valve.

The indicated width does not take into account the size of the reductions.



<Original Plus 3 C.> Elemento interno/Internal element

Altezza/Height H (mm)	300	400	500	600	750	900	1000	1200	1500	1800	2000	2500
Interasse/Con. cent N (mm)	235	335	435	535	685	835	935	1135	1435	1735	1935	2435
Peso/Weight P (Kg)	0,67	0,84	1,01	1,18	1,42	1,68	1,85	2,32	3,06	3,78	3,95	4,40
Capacità/Capacity (l)	0,46	0,54	0,64	0,73	0,86	1,02	1,10	1,15	1,23	1,31	1,66	2,51
Esponente/Exponent n	1,25	1,25	1,26	1,27	1,28	1,29	1,29	1,30	1,31	1,31	1,30	1,30
Resa termica/Power Δt 50K (75/65/20 °C)	29	38	46	55	68	80	86	98	128	150	165	200

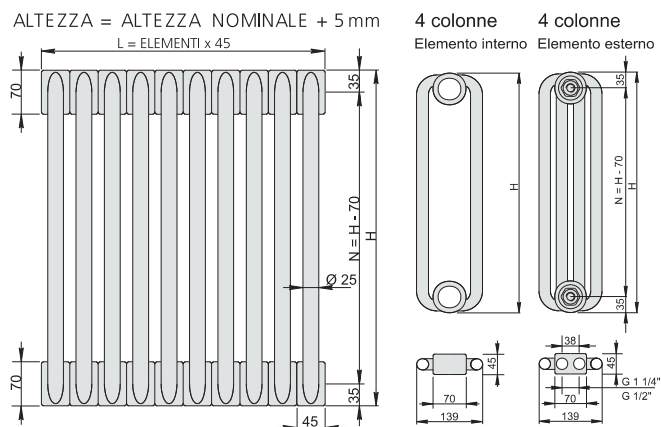
<Original Plus 3 C.> Elemento esterno/External element

Altezza/Height H (mm)	300	400	500	600	750	900	1000	1200	1500	1800	2000	2500
Interasse/Con. cent N (mm)	235	335	435	535	685	835	935	1135	1435	1735	1935	2435
Peso/Weight P (Kg)	0,84	1,05	1,26	1,47	1,78	2,10	2,31	2,90	3,82	4,72	4,94	5,50
Capacità/Capacity (l)	0,57	0,68	0,80	0,91	1,08	1,27	1,37	1,43	1,54	1,64	2,07	3,14
Esponente/Exponent n	1,28	1,30	1,31	1,32	1,33	1,35	1,36	1,36	1,35	1,34	1,35	1,35
Resa termica/Power Δt 50K (75/65/20 °C)	32	42	51	61	75	89	98	111	142	167	183	222

Original Plus 3 C. - Altezze Standard/Standard heights

Nr. El.	L= mm	Altezza/Height H (mm)												
		300	400	500	600	750	900	1000	1200	1500	1800	2000	2500	
3	135 mm	W	93	122	148	177	218	258	282	320	412	484	531	644
4	180 mm	W	122	160	194	232	286	338	368	418	540	634	696	844
5	225 mm	W	151	198	240	287	354	418	454	516	668	784	861	1.044
6	270 mm	W	180	236	286	342	422	498	540	614	796	934	1.026	1.244
7	315 mm	W	209	274	332	397	490	578	626	712	924	1.084	1.191	1.444
8	360 mm	W	238	312	378	452	558	658	712	810	1.052	1.234	1.356	1.644
9	405 mm	W	267	350	424	507	626	738	798	908	1.180	1.384	1.521	1.844
10	450 mm	W	296	388	470	562	694	818	884	1.006	1.308	1.534	1.686	2.044
11	495 mm	W	325	426	516	617	762	898	970	1.104	1.436	1.684	1.851	2.244
12	540 mm	W	354	464	562	672	830	978	1.056	1.202	1.564	1.834	2.016	2.444
13	585 mm	W	383	502	608	727	898	1.058	1.142	1.300	1.692	1.984	2.181	2.644
14	630 mm	W	412	540	654	782	966	1.138	1.228	1.398	1.820	2.134	2.346	2.844
15	675 mm	W	441	578	700	837	1.034	1.218	1.314	1.496	1.948	2.284	2.511	3.044
16	720 mm	W	470	616	746	892	1.102	1.298	1.400	1.594	2.076	2.434	2.676	3.244
17	765 mm	W	499	654	792	947	1.170	1.378	1.486	1.692	2.204	2.584	2.841	3.444
18	810 mm	W	528	692	838	1.002	1.238	1.458	1.572	1.790	2.332	2.734	3.006	3.644
19	855 mm	W	557	730	884	1.057	1.306	1.538	1.658	1.888	2.460	2.884	3.171	3.844
20	900 mm	W	586	768	930	1.112	1.374	1.618	1.744	1.986	2.588	3.034	3.336	4.044
21	945 mm	W	615	806	976	1.167	1.442	1.698	1.830	2.084	2.716	3.184	3.501	4.244
22	990 mm	W	644	844	1.022	1.222	1.510	1.778	1.916	2.182	2.844	3.334	3.666	4.444
23	1035 mm	W	673	882	1.068	1.277	1.578	1.858	2.002	2.280	2.972	3.484	3.831	4.644
24	1080 mm	W	702	920	1.114	1.332	1.646	1.938	2.088	2.378	3.100	3.634	3.996	4.844
25	1125 mm	W	731	958	1.160	1.387	1.714	2.018	2.174	2.476	3.228	3.784	4.161	5.044
26	1170 mm	W	760	996	1.206	1.442	1.782	2.098	2.260	2.574	3.356	3.934	4.326	5.244
27	1215 mm	W	789	1.034	1.252	1.497	1.850	2.178	2.346	2.672	3.484	4.084	4.491	5.444
28	1260 mm	W	818	1.072	1.298	1.552	1.918	2.258	2.432	2.770	3.612	4.234	4.656	5.644
29	1305 mm	W	847	1.110	1.344	1.607	1.986	2.338	2.518	2.868	3.740	4.384	4.821	5.844
30	1350 mm	W	876	1.148	1.390	1.662	2.054	2.418	2.604	2.966	3.868	4.534	4.986	6.044
31	1395 mm	W	905	1.186	1.436	1.717	2.122	2.498	2.690	3.064	3.996	4.684	5.151	6.244
32	1440 mm	W	934	1.224	1.482	1.772	2.190	2.578	2.776	3.162	4.124	4.834	5.316	6.444
33	1485 mm	W	963	1.262	1.528	1.827	2.258	2.658	2.862	3.260	4.252	4.984	5.481	6.644
34	1530 mm	W	992	1.300	1.574	1.882	2.326	2.738	2.948	3.358	4.380	5.134	5.646	6.844
35	1575 mm	W	1.021	1.338	1.620	1.937	2.394	2.818	3.034	3.456	4.508	5.284	5.811	7.044
36	1620 mm	W	1.050	1.376	1.666	1.992	2.462	2.898	3.120	3.554	4.636	5.434	5.976	7.244
37	1665 mm	W	1.079	1.414	1.712	2.047	2.530	2.978	3.206	3.652	4.764	5.584	6.141	7.444
38	1710 mm	W	1.108	1.452	1.758	2.102	2.598	3.058	3.292	3.750	4.892	5.734	6.306	7.644
39	1755 mm	W	1.137	1.490	1.804	2.157	2.666	3.138	3.378	3.848	5.020	5.884	6.471	7.844
40	1800 mm	W	1.166	1.528	1.850	2.212	2.734	3.218	3.464	3.946	5.148	6.034	6.636	8.044

Original Plus - 4 Colonne/Columns



I radiatori Original Plus vengono forniti con i seguenti accessori compresi nel prezzo:

4 riduzioni G 1 1/4" - G 1/2" montate e collaudate in azienda, 1 tappo cieco G 1/2", 1 valvolina di sfiato orientabile.

La larghezza indicata non tiene conto dell'ingombro delle riduzioni.

Original Plus radiators are supplied with the following accessories included in the price:

4 reductions G 1 1/4" - G 1/2" mounted and tested in the company, 1 blind plug G 1/2", 1 adjustable vent valve.

The indicated width does not take into account the size of the reductions.



<Original Plus 4 C.> Elemento interno/Internal element

Altezza/Height H (mm)	300	400	500	600	750	900	1000	1200	1500	1800	2000	2500
Interasse/Con. cent N (mm)	235	335	435	535	685	835	935	1135	1435	1735	1935	2435
Peso/Weight P (Kg)	0,71	0,91	1,10	1,30	1,58	1,87	2,07	2,52	3,16	3,82	4,17	5,04
Capacità/Capacity (l)	0,47	0,58	0,69	0,80	0,97	1,14	1,24	1,49	1,78	2,11	2,34	2,92
Esponente/Exponent n	1,25	1,25	1,26	1,27	1,28	1,29	1,29	1,29	1,31	1,31	1,30	1,30
Resa termica/Power Δt 50K (75/65/20 °C)	34	44	54	63	78	91	98	114	144	169	186	225

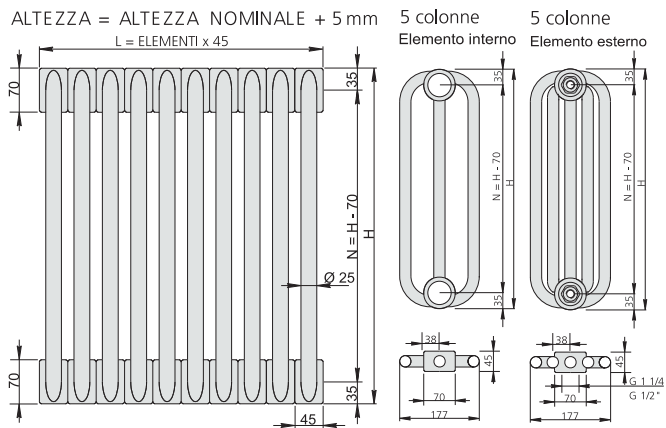
<Original Plus 4 C.> Elemento esterno/External element

Altezza/Height H (mm)	300	400	500	600	750	900	1000	1200	1500	1800	2000	2500
Interasse/Con. cent N (mm)	235	335	435	535	685	835	935	1135	1435	1735	1935	2435
Peso/Weight P (Kg)	1,02	1,30	1,57	1,85	2,26	2,67	2,95	3,60	4,51	5,45	5,95	7,20
Capacità/Capacity (l)	0,67	0,83	0,99	1,14	1,38	1,63	1,77	2,03	2,54	3,01	3,34	4,17
Esponente/Exponent n	1,28	1,28	1,29	1,30	1,31	1,32	1,33	1,33	1,34	1,34	1,33	1,32
Resa termica/Power Δt 50K (75/65/20 °C)	42	55	67	79	97	114	126	146	180	211	232	281

Original Plus 4 C. - Altezze Standard/Standard heights

Nr. El.	L = mm	Altezza/Height H (mm)												
		300	400	500	600	750	900	1000	1200	1500	1800	2000	2500	
3	135 mm	W	118	154	188	221	272	319	350	406	504	591	650	787
4	180 mm	W	152	198	242	284	350	410	448	520	648	760	836	1012
5	225 mm	W	186	242	296	347	428	501	546	634	792	929	1.022	1.237
6	270 mm	W	220	286	350	410	506	592	644	748	936	1.098	1.208	1.462
7	315 mm	W	254	330	404	473	584	683	742	862	1.080	1.267	1.394	1.687
8	360 mm	W	288	374	458	536	662	774	840	976	1.224	1.436	1.580	1.912
9	405 mm	W	322	418	512	599	740	865	938	1.090	1.368	1.605	1.766	2.137
10	450 mm	W	356	462	566	662	818	956	1.036	1.204	1.512	1.774	1.952	2.362
11	495 mm	W	390	506	620	725	896	1.047	1.134	1.318	1.656	1.943	2.138	2.587
12	540 mm	W	424	550	674	788	974	1.138	1.232	1.432	1.800	2.112	2.324	2.812
13	585 mm	W	458	594	728	851	1.052	1.229	1.330	1.546	1.944	2.281	2.510	3.037
14	630 mm	W	492	638	782	914	1.130	1.320	1.428	1.660	2.088	2.450	2.696	3.262
15	675 mm	W	526	682	836	977	1.208	1.411	1.526	1.774	2.232	2.619	2.882	3.487
16	720 mm	W	560	726	890	1.040	1.286	1.502	1.624	1.888	2.376	2.788	3.068	3.712
17	765 mm	W	594	770	944	1.103	1.364	1.593	1.722	2.002	2.520	2.957	3.254	3.937
18	810 mm	W	628	814	998	1.166	1.442	1.684	1.820	2.116	2.664	3.126	3.440	4.162
19	855 mm	W	662	858	1.052	1.229	1.520	1.775	1.918	2.230	2.808	3.295	3.626	4.387
20	900 mm	W	696	902	1.106	1.292	1.598	1.866	2.016	2.344	2.952	3.464	3.812	4.612
21	945 mm	W	730	946	1.160	1.355	1.676	1.957	2.114	2.458	3.096	3.633	3.998	4.837
22	990 mm	W	764	990	1.214	1.418	1.754	2.048	2.212	2.572	3.240	3.802	4.184	5.062
23	1035 mm	W	798	1.034	1.268	1.481	1.832	2.139	2.310	2.686	3.384	3.971	4.370	5.287
24	1080 mm	W	832	1.078	1.322	1.544	1.910	2.230	2.408	2.800	3.528	4.140	4.556	5.512
25	1125 mm	W	866	1.122	1.376	1.607	1.988	2.321	2.506	2.914	3.672	4.309	4.742	5.737
26	1170 mm	W	900	1.166	1.430	1.670	2.066	2.412	2.604	3.028	3.816	4.478	4.928	5.962
27	1215 mm	W	934	1.210	1.484	1.733	2.144	2.503	2.702	3.142	3.960	4.647	5.114	6.187
28	1260 mm	W	968	1.254	1.538	1.796	2.222	2.594	2.800	3.256	4.104	4.816	5.300	6.412
29	1305 mm	W	1.002	1.298	1.592	1.859	2.300	2.685	2.898	3.370	4.248	4.985	5.486	6.637
30	1350 mm	W	1.036	1.342	1.646	1.922	2.378	2.776	2.996	3.484	4.392	5.154	5.672	6.862
31	1395 mm	W	1.070	1.386	1.700	1.985	2.456	2.867	3.094	3.598	4.536	5.323	5.858	7.087
32	1440 mm	W	1.104	1.430	1.754	2.048	2.534	2.958	3.192	3.712	4.680	5.492	6.044	7.312
33	1485 mm	W	1.138	1.474	1.808	2.111	2.612	3.049	3.290	3.826	4.824	5.661	6.230	7.537
34	1530 mm	W	1.172	1.518	1.862	2.174	2.690	3.140	3.388	3.940	4.968	5.830	6.416	7.762
35	1575 mm	W	1.206	1.562	1.916	2.237	2.768	3.231	3.486	4.054	5.112	5.999	6.602	7.987
36	1620 mm	W	1.240	1.606	1.970	2.300	2.846	3.322	3.584	4.168	5.256	6.168	6.788	8.212
37	1665 mm	W	1.274	1.650	2.024	2.363	2.924	3.413	3.682	4.282	5.400	6.337	6.974	8.437
38	1710 mm	W	1.308	1.694	2.078	2.426	3.002	3.504	3.780	4.396	5.544	6.506	7.160	8.662
39	1755 mm	W	1.342	1.738	2.132	2.489	3.080	3.595	3.878	4.510	5.688	6.675	7.346	8.887
40	1800 mm	W	1.376	1.782	2.186	2.552	3.158	3.686	3.976	4.624	5.832	6.844	7.532	9.112

Original Plus - 5 Colonne/Columns



I radiatori Original Plus vengono forniti con i seguenti accessori compresi nel prezzo:

4 riduzioni G 1 1/4" - G 1/2" montate e collaudate in azienda, 1 tappo cieco G 1/2", 1 valvolina di sfiato orientabile.

La larghezza indicata non tiene conto dell'ingombro delle riduzioni.

Original Plus radiators are supplied with the following accessories included in the price:

4 reductions G 1 1/4" - G 1/2" mounted and tested in the company, 1 blind plug G 1/2", 1 adjustable vent valve.

The indicated width does not take into account the size of the reductions.



<Original Plus 5 C.> Elemento interno/Internal element

Altezza/Height H (mm)	300	400	500	600	750	900	1000	1200	1500	1800	2000	2500
Interasse/Con. cent N (mm)	235	335	435	535	685	835	935	1135	1435	1735	1935	2435
Peso/Weight P (Kg)	0,92	1,13	1,34	1,55	1,86	2,18	2,39	3,10	3,90	4,80	5,02	5,58
Capacità/Capacity (l)	0,61	0,72	0,84	0,95	1,12	1,31	1,41	1,65	2,00	2,35	2,59	3,18
Esponente/Exponent n	1,23	1,24	1,25	1,26	1,28	1,29	1,30	1,30	1,30	1,30	1,29	1,29
Resa termica/Power Δt 50K (75/65/20 °C)	44	57	70	82	99	117	129	150	186	219	241	294

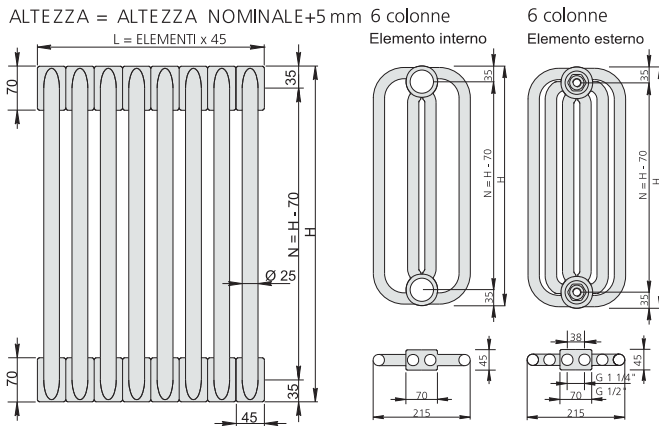
<Original Plus 5 C.> Elemento esterno/External element

Altezza/Height H (mm)	300	400	500	600	750	900	1000	1200	1500	1800	2000	2500
Interasse/Con. cent N (mm)	235	335	435	535	685	835	935	1135	1435	1735	1935	2435
Peso/Weight P (Kg)	1,19	1,53	1,87	2,21	2,73	3,24	3,59	4,30	5,37	6,45	7,16	8,95
Capacità/Capacity (l)	0,79	0,98	1,17	1,36	1,64	1,94	2,12	2,52	3,15	3,77	4,17	5,15
Esponente/Exponent n	1,28	1,29	1,30	1,31	1,33	1,34	1,35	1,35	1,35	1,35	1,34	1,34
Resa termica/Power Δt 50K (75/65/20 °C)	52	67	82	96	117	138	152	176	219	258	283	346

Original Plus 5 C. - Altezze Standard/Standard heights

Nr. El.	L = mm	Altezza/Height H (mm)												
		300	400	500	600	750	900	1000	1200	1500	1800	2000	2500	
3	135 mm	W	148	191	234	274	333	393	433	502	624	735	807	986
4	180 mm	W	192	248	304	356	432	510	562	652	810	954	1.048	1.280
5	225 mm	W	236	305	374	438	531	627	691	802	996	1.173	1.289	1.574
6	270 mm	W	280	362	444	520	630	744	820	952	1.182	1.392	1.530	1.868
7	315 mm	W	324	419	514	602	729	861	949	1.102	1.368	1.611	1.771	2.162
8	360 mm	W	368	476	584	684	828	978	1.078	1.252	1.554	1.830	2.012	2.456
9	405 mm	W	412	533	654	766	927	1.095	1.207	1.402	1.740	2.049	2.253	2.750
10	450 mm	W	456	590	724	848	1.026	1.212	1.336	1.552	1.926	2.268	2.494	3.044
11	495 mm	W	500	647	794	930	1.125	1.329	1.465	1.702	2.112	2.487	2.735	3.338
12	540 mm	W	544	704	864	1.012	1.224	1.446	1.594	1.852	2.298	2.706	2.976	3.632
13	585 mm	W	588	761	934	1.094	1.323	1.563	1.723	2.002	2.484	2.925	3.217	3.926
14	630 mm	W	632	818	1.004	1.176	1.422	1.680	1.852	2.152	2.670	3.144	3.458	4.220
15	675 mm	W	676	875	1.074	1.258	1.521	1.797	1.981	2.302	2.856	3.363	3.699	4.514
16	720 mm	W	720	932	1.144	1.340	1.620	1.914	2.110	2.452	3.042	3.582	3.940	4.808
17	765 mm	W	764	989	1.214	1.422	1.719	2.031	2.239	2.602	3.228	3.801	4.181	5.102
18	810 mm	W	808	1046	1.284	1.504	1.818	2.148	2.368	2.752	3.414	4.020	4.422	5.396
19	855 mm	W	852	1.103	1.354	1.586	1.917	2.265	2.497	2.902	3.600	4.239	4.663	5.690
20	900 mm	W	896	1.160	1.424	1.668	2.016	2.382	2.626	3.052	3.786	4.458	4.904	5.984
21	945 mm	W	940	1.217	1.494	1.750	2.115	2.499	2.755	3.202	3.972	4.677	5.145	6.278
22	990 mm	W	984	1.274	1.564	1.832	2.214	2.616	2.884	3.352	4.158	4.896	5.386	6.572
23	1035 mm	W	1.028	1.331	1.634	1.914	2.313	2.733	3.013	3.502	4.344	5.115	5.627	6.866
24	1080 mm	W	1.072	1.388	1.704	1.996	2.412	2.850	3.142	3.652	4.530	5.334	5.868	7.160
25	1125 mm	W	1.116	1.445	1.774	2.078	2.511	2.967	3.271	3.802	4.716	5.553	6.109	7.454
26	1170 mm	W	1.160	1.502	1.844	2.160	2.610	3.084	3.400	3.952	4.902	5.772	6.350	7.748
27	1215 mm	W	1.204	1.559	1.914	2.242	2.709	3.201	3.529	4.102	5.088	5.991	6.591	8.042
28	1260 mm	W	1.248	1.616	1.984	2.324	2.808	3.318	3.658	4.252	5.274	6.210	6.832	8.336
29	1305 mm	W	1.292	1.673	2.054	2.406	2.907	3.435	3.787	4.402	5.460	6.429	7.073	8.630
30	1350 mm	W	1.336	1.730	2.124	2.488	3.006	3.552	3.916	4.552	5.646	6.648	7.314	8.924
31	1395 mm	W	1.380	1.787	2.194	2.570	3.105	3.669	4.045	4.702	5.832	6.867	7.555	9.218
32	1440 mm	W	1.424	1.844	2.264	2.652	3.204	3.786	4.174	4.852	6.018	7.086	7.796	9.512
33	1485 mm	W	1.468	1.901	2.334	2.734	3.303	3.903	4.303	5.002	6.204	7.305	8.037	9.806
34	1530 mm	W	1.512	1.958	2.404	2.816	3.402	4.020	4.432	5.152	6.390	7.524	8.278	10.100
35	1575 mm	W	1.556	2.015	2.474	2.898	3.501	4.137	4.561	5.302	6.576	7.743	8.519	10.394
36	1620 mm	W	1.600	2.072	2.544	2.980	3.600	4.254	4.690	5.452	6.762	7.962	8.760	10.688
37	1665 mm	W	1.644	2.129	2.614	3.062	3.699	4.371	4.819	5.602	6.948	8.181	9.001	10.982
38	1710 mm	W	1.688	2.186	2.684	3.144	3.798	4.488	4.948	5.752	7.134	8.400	9.242	11.276
39	1755 mm	W	1.732	2.243	2.754	3.226	3.897	4.605	5.077	5.902	7.320	8.619	9.483	11.570
40	1800 mm	W	1.776	2.300	2.824	3.308	3.996	4.722	5.206	6.052	7.506	8.838	9.724	11.864

Original Plus - 6 Colonne/Columns



I radiatori Original Plus vengono forniti con i seguenti accessori compresi nel prezzo:

4 riduzioni G 1 1/4" - G 1/2" montate e collaudate in azienda, 1 tappo cieco G 1/2", 1 valvolina di sfiato orientabile.

La larghezza indicata non tiene conto dell'ingombro delle riduzioni.

Original Plus radiators are supplied with the following accessories included in the price:

4 reductions G 1 1/4" - G 1/2" mounted and tested in the company, 1 blind plug G 1/2", 1 adjustable vent valve.

The indicated width does not take into account the size of the reductions.



<Original Plus 6 C.> Elemento interno/Internal element

Altezza/Height H (mm)	300	400	500	600	750	900	1000	1200	1500	1800	2000	2500
Interasse/Con. cent N (mm)	235	335	435	535	685	835	935	1135	1435	1735	1935	2435
Peso/Weight P (Kg)	1,15	1,43	1,70	1,98	2,39	2,80	3,08	4,10	4,64	5,58	6,08	7,33
Capacità/Capacity (l)	0,71	0,87	1,03	1,18	1,42	1,67	1,81	2,06	2,58	3,05	3,38	4,21
Esponente/Exponent n	1,20	1,21	1,23	1,25	1,26	1,28	1,30	1,30	1,27	1,26	1,25	1,24
Resa termica/Power Δt 50K (75/65/20 °C)	53	68	83	98	119	140	153	174	220	258	284	346

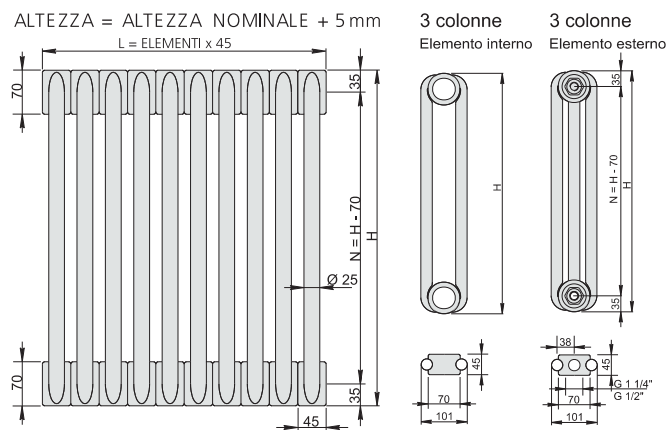
<Original Plus 6 C.> Elemento esterno/External element

Altezza/Height H (mm)	300	400	500	600	750	900	1000	1200	1500	1800	2000	2500
Interasse/Con. cent N (mm)	235	335	435	535	685	835	935	1135	1435	1735	1935	2435
Peso/Weight P (Kg)	1,43	1,85	2,26	2,68	3,30	3,93	4,34	5,14	6,43	7,68	8,53	10,67
Capacità/Capacity (l)	0,88	1,11	1,35	1,58	1,93	2,28	2,51	2,97	3,71	4,43	4,99	6,06
Esponente/Exponent n	1,30	1,31	1,33	1,35	1,37	1,39	1,41	1,38	1,38	1,36	1,35	1,34
Resa termica/Power Δt 50K (75/65/20 °C)	62	80	98	115	140	165	181	206	259	304	334	407

Original Plus 6 C. - Altezze Standard/Standard heights

Nr. El.	L= mm	Altezza/Height H (mm)												
		300	400	500	600	750	900	1000	1200	1500	1800	2000	2500	
3	135 mm	W	177	228	279	328	399	470	515	586	738	866	952	1.160
4	180 mm	W	230	296	362	426	518	610	668	760	958	1.124	1.236	1.506
5	225 mm	W	283	364	445	524	637	750	821	934	1.178	1.382	1.520	1.852
6	270 mm	W	336	432	528	622	756	890	974	1.108	1.398	1.640	1.804	2.198
7	315 mm	W	389	500	611	720	875	1.030	1.127	1.282	1.618	1.898	2.088	2.544
8	360 mm	W	442	568	694	818	994	1.170	1.280	1.456	1.838	2.156	2.372	2.890
9	405 mm	W	495	636	777	916	1.113	1.310	1.433	1.630	2.058	2.414	2.656	3.236
10	450 mm	W	548	704	860	1.014	1.232	1.450	1.586	1.804	2.278	2.672	2.940	3.582
11	495 mm	W	601	772	943	1.112	1.351	1.590	1.739	1.978	2.498	2.930	3.224	3.928
12	540 mm	W	654	840	1.026	1.210	1.470	1.730	1.892	2.152	2.718	3.188	3.508	4.274
13	585 mm	W	707	908	1.109	1.308	1.589	1.870	2.045	2.326	2.938	3.446	3.792	4.620
14	630 mm	W	760	976	1.192	1.406	1.708	2.010	2.198	2.500	3.158	3.704	4.076	4.966
15	675 mm	W	813	1044	1.275	1.504	1.827	2.150	2.351	2.674	3.378	3.962	4.360	5.312
16	720 mm	W	866	1.112	1.358	1.602	1.946	2.290	2.504	2.848	3.598	4.220	4.644	5.658
17	765 mm	W	919	1.180	1.441	1.700	2.065	2.430	2.657	3.022	3.818	4.478	4.928	6.004
18	810 mm	W	972	1.248	1.524	1.798	2.184	2.570	2.810	3.196	4.038	4.736	5.212	6.350
19	855 mm	W	1.025	1.316	1.607	1.896	2.303	2.710	2.963	3.370	4.258	4.994	5.496	6.696
20	900 mm	W	1.078	1.384	1.690	1.994	2.422	2.850	3.116	3.544	4.478	5.252	5.780	7.042
21	945 mm	W	1.131	1.452	1.773	2.092	2.541	2.990	3.269	3.718	4.698	5.510	6.064	7.388
22	990 mm	W	1.184	1.520	1.856	2.190	2.660	3.130	3.422	3.892	4.918	5.768	6.348	7.734
23	1035 mm	W	1.237	1.588	1.939	2.288	2.779	3.270	3.575	4.066	5.138	6.026	6.632	8.080
24	1080 mm	W	1.290	1.656	2.022	2.386	2.898	3.410	3.728	4.240	5.358	6.284	6.916	8.426
25	1125 mm	W	1.343	1.724	2.105	2.484	3.017	3.550	3.881	4.414	5.578	6.542	7.200	8.772
26	1170 mm	W	1.396	1.792	2.188	2.582	3.136	3.690	4.034	4.588	5.798	6.800	7.484	9.118
27	1215 mm	W	1.449	1.860	2.271	2.680	3.255	3.830	4.187	4.762	6.018	7.058	7.768	9.464
28	1260 mm	W	1.502	1.928	2.354	2.778	3.374	3.970	4.340	4.936	6.238	7.316	8.052	9.810
29	1305 mm	W	1.555	1.996	2.437	2.876	3.493	4.110	4.493	5.110	6.458	7.574	8.336	10.156
30	1350 mm	W	1.608	2.064	2.520	2.974	3.612	4.250	4.646	5.284	6.678	7.832	8.620	10.502
31	1395 mm	W	1.661	2.132	2.603	3.072	3.731	4.390	4.799	5.458	6.898	8.090	8.904	10.848
32	1440 mm	W	1.714	2.200	2.686	3.170	3.850	4.530	4.952	5.632	7.118	8.348	9.188	11.194
33	1485 mm	W	1.767	2.268	2.769	3.268	3.969	4.670	5.105	5.806	7.338	8.606	9.472	11.540
34	1530 mm	W	1.820	2.336	2.852	3.366	4.088	4.810	5.258	5.980	7.558	8.864	9.756	11.886
35	1575 mm	W	1.873	2.404	2.935	3.464	4.207	4.950	5.411	6.154	7.778	9.122	10.040	12.232
36	1620 mm	W	1.926	2.472	3.018	3.562	4.326	5.090	5.564	6.328	7.998	9.380	10.324	12.578
37	1665 mm	W	1.979	2.540	3.101	3.660	4.445	5.230	5.717	6.502	8.218	9.638	10.608	12.924
38	1710 mm	W	2.032	2.608	3.184	3.758	4.564	5.370	5.870	6.676	8.438	9.896	10.892	13.270
39	1755 mm	W	2.085	2.676	3.267	3.856	4.683	5.510	6.023	6.850	8.658	10.154	11.176	13.616
40	1800 mm	W	2.138	2.744	3.350	3.954	4.802	5.650	6.176	7.024	8.878	10.412	11.460	13.962

Original Plus - 3 Colonne/Columns



I radiatori Original Plus vengono forniti con i seguenti accessori compresi nel prezzo:

4 riduzioni G 1 1/4" - G 1/2" montate e collaudate in azienda, 1 tappo cieco G 1/2", 1 valvolina di sfiato orientabile.

La larghezza indicata non tiene conto dell'ingombro delle riduzioni.

Original Plus radiators are supplied with the following accessories included in the price:

4 reductions G 1 1/4" - G 1/2" mounted and tested in the company, 1 blind plug G 1/2", 1 adjustable vent valve.

The indicated width does not take into account the size of the reductions.



<Original Plus 3 C.> Elemento interno/Internal element

Altezza/Height H (mm)	570	670	685	770	870	885	1670	1870	2070
Interasse/Con. cent N (mm)	500	600	615	700	800	815	1600	1800	2000
Peso/Weight P (Kg)	1,12	1,30	1,33	1,46	1,64	1,67	3,45	3,90	4,09
Capacità/Capacity (l)	0,69	0,80	0,82	0,88	1,00	1,01	1,27	1,36	1,72
Esponente/Exponent n	1,27	1,27	1,27	1,28	1,28	1,28	1,31	1,31	1,30
Resa termica/Power Δt 50K (75/65/20 °C)	52	61	62	70	78	79	140	156	171

<Original Plus 3 C.> Elemento esterno/External element

Altezza/Height H (mm)	570	670	685	770	870	885	1670	1870	2070
Interasse/Con. cent N (mm)	500	600	615	700	800	815	1600	1800	2000
Peso/Weight P (Kg)	1,40	1,62	1,66	1,82	2,05	2,09	4,30	4,90	5,11
Capacità/Capacity (l)	0,86	1,01	1,03	1,10	1,24	1,26	1,51	1,70	2,14
Esponente/Exponent n	1,32	1,28	1,28	1,33	1,28	1,28	1,35	1,34	1,35
Resa termica/Power Δt 50K (75/65/20 °C)	58	67	69	77	87	88	156	173	189

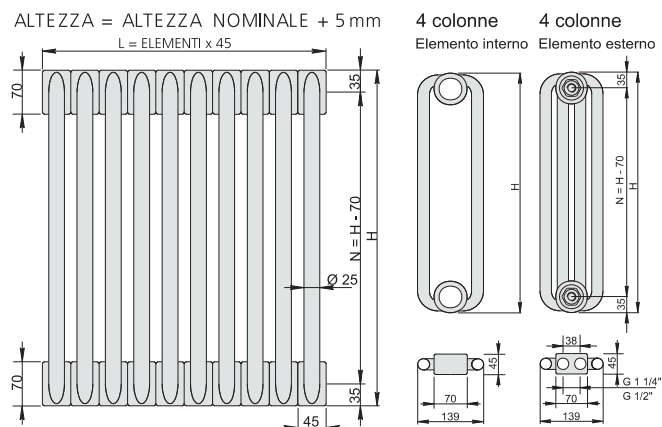
■ Misure per sostituzione radiatori in alluminio/Measures for replacing aluminum radiators

■ Misure per sostituzione radiatori in ghisa/Measures for replacing cast iron radiators

Original Plus 3 C. - Altezze per sostituzione/Heights for substitution

Nr. El.	L = mm	Altezza/Height H (mm)									
		570	670	685	770	870	885	1670	1870	2070	
3	135 mm	W	168	195	200	224	252	255	452	502	549
4	180 mm	W	220	256	262	294	330	334	592	658	720
5	225 mm	W	272	317	324	364	408	413	732	814	891
6	270 mm	W	324	378	386	434	486	492	872	970	1.062
7	315 mm	W	376	439	448	504	564	571	1.012	1.126	1.233
8	360 mm	W	428	500	510	574	642	650	1.152	1.282	1.404
9	405 mm	W	480	561	572	644	720	729	1.292	1.438	1.575
10	450 mm	W	532	622	634	714	798	808	1.432	1.594	1.746
11	495 mm	W	584	683	696	784	876	887	1.572	1.750	1.917
12	540 mm	W	636	744	758	854	954	966	1.712	1.906	2.088
13	585 mm	W	688	805	820	924	1.032	1.045	1.852	2.062	2.259
14	630 mm	W	740	866	882	994	1.110	1.124	1.992	2.218	2.430
15	675 mm	W	792	927	944	1.064	1.188	1.203	2.132	2.374	2.601
16	720 mm	W	844	988	1.006	1.134	1.266	1.282	2.272	2.530	2.772
17	765 mm	W	896	1.049	1.068	1.204	1.344	1.361	2.412	2.686	2.943
18	810 mm	W	948	1.110	1.130	1.274	1.422	1.440	2.552	2.842	3.114
19	855 mm	W	1.000	1.171	1.192	1.344	1.500	1.519	2.692	2.998	3.285
20	900 mm	W	1.052	1.232	1.254	1.414	1.578	1.598	2.832	3.154	3.456
21	945 mm	W	1.104	1.293	1.316	1.484	1.656	1.677	2.972	3.310	3.627
22	990 mm	W	1.156	1.354	1.378	1.554	1.734	1.756	3.112	3.466	3.798
23	1035 mm	W	1.208	1.415	1.440	1.624	1.812	1.835	3.252	3.622	3.969
24	1080 mm	W	1.260	1.476	1.502	1.694	1.890	1.914	3.392	3.778	4.140
25	1125 mm	W	1.312	1.537	1.564	1.764	1.968	1.993	3.532	3.934	4.311
26	1170 mm	W	1.364	1.598	1.626	1.834	2.046	2.072	3.672	4.090	4.482
27	1215 mm	W	1.416	1.659	1.688	1.904	2.124	2.151	3.812	4.246	4.653
28	1260 mm	W	1.468	1.720	1.750	1.974	2.202	2.230	3.952	4.402	4.824
29	1305 mm	W	1.520	1.781	1.812	2.044	2.280	2.309	4.092	4.558	4.995
30	1350 mm	W	1.572	1.842	1.874	2.114	2.358	2.388	4.232	4.714	5.166
31	1395 mm	W	1.624	1.903	1.936	2.184	2.436	2.467	4.372	4.870	5.337
32	1440 mm	W	1.676	1.964	1.998	2.254	2.514	2.546	4.512	5.026	5.508
33	1485 mm	W	1.728	2.025	2.060	2.324	2.592	2.625	4.652	5.182	5.679
34	1530 mm	W	1.780	2.086	2.122	2.394	2.670	2.704	4.792	5.338	5.850
35	1575 mm	W	1.832	2.147	2.184	2.464	2.748	2.783	4.932	5.494	6.021
36	1620 mm	W	1.884	2.208	2.246	2.534	2.826	2.862	5.072	5.650	6.192
37	1665 mm	W	1.936	2.269	2.308	2.604	2.904	2.941	5.212	5.806	6.363
38	1710 mm	W	1.988	2.330	2.370	2.674	2.982	3.020	5.352	5.962	6.534
39	1755 mm	W	2.040	2.391	2.432	2.744	3.060	3.099	5.492	6.118	6.705
40	1800 mm	W	2.092	2.452	2.494	2.814	3.138	3.178	5.632	6.274	6.876

Original Plus - 4 Colonne/Columms



I radiatori Original Plus vengono forniti con i seguenti accessori compresi nel prezzo:

4 riduzioni G 1 1/4" - G 1/2" montate e collaudate in azienda, 1 tappo cieco G 1/2", 1 valvolina di sfiato orientabile.

La larghezza indicata non tiene conto dell'ingombro delle riduzioni.

Original Plus radiators are supplied with the following accessories included in the price:

4 reductions G 1 1/4" - G 1/2" mounted and tested in the company, 1 blind plug G 1/2", 1 adjustable vent valve.

The indicated width does not take into account the size of the reductions.



<Original Plus 4 C.> Elemento interno/Internal element

Altezza/Height H (mm)	570	670	685	770	870	885	1670	1870	2070
Interasse/Con. cent N (mm)	500	600	615	700	800	815	1600	1800	2000
Peso/Weight P (Kg)	1,24	1,43	1,46	1,62	1,83	1,86	3,53	3,97	4,32
Capacità/Capacity (l)	0,76	0,89	0,91	1,00	1,11	1,13	1,96	2,19	2,42
Esponente/Exponent n	1,27	1,27	1,27	1,28	1,29	1,28	1,31	1,31	1,30
Resa termica/Power Δt 50K (75/65/20 °C)	60	70	72	80	88	90	159	176	193

<Original Plus 4 C.> Elemento esterno/External element

Altezza/Height H (mm)	570	670	685	770	870	885	1670	1870	2070
Interasse/Con. cent N (mm)	500	600	615	700	800	815	1600	1800	2000
Peso/Weight P (Kg)	1,76	2,04	2,09	2,32	2,60	2,65	5,03	5,66	6,16
Capacità/Capacity (l)	1,08	1,27	1,30	1,41	1,59	1,62	2,80	3,13	3,46
Esponente/Exponent n	1,30	1,28	1,28	1,31	1,28	1,28	1,34	1,34	1,33
Resa termica/Power Δt 50K (75/65/20 °C)	75	88	90	100	110	112	198	219	240

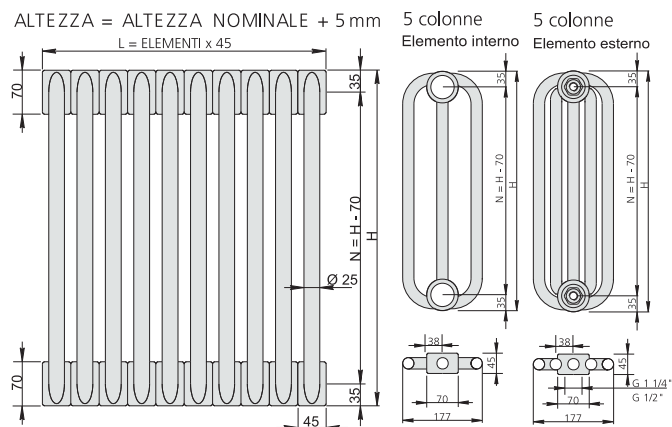
■ Misure per sostituzione radiatori in alluminio/Measures for replacing aluminum radiators

■ Misure per sostituzione radiatori in ghisa/Measures for replacing cast iron radiators

Original Plus 4 C. - Altezze per sostituzione/Heights for substitution

Nr. El.	L = mm	Altezza/Height H (mm)									
		570	670	685	770	870	885	1670	1870	2070	
3	135 mm	W	210	246	252	280	308	314	555	614	673
4	180 mm	W	270	316	324	360	396	404	714	790	866
5	225 mm	W	330	386	396	440	484	494	873	966	1.059
6	270 mm	W	390	456	468	520	572	584	1.032	1.142	1.252
7	315 mm	W	450	526	540	600	660	674	1.191	1.318	1.445
8	360 mm	W	510	596	612	680	748	764	1.350	1.494	1.638
9	405 mm	W	570	666	684	760	836	854	1.509	1.670	1.831
10	450 mm	W	630	736	756	840	924	944	1.668	1.846	2.024
11	495 mm	W	690	806	828	920	1.012	1.034	1.827	2.022	2.217
12	540 mm	W	750	876	900	1.000	1.100	1.124	1.986	2.198	2.410
13	585 mm	W	810	946	972	1.080	1.188	1.214	2.145	2.374	2.603
14	630 mm	W	870	1.016	1.044	1.160	1.276	1.304	2.304	2.550	2.796
15	675 mm	W	930	1.086	1.116	1.240	1.364	1.394	2.463	2.726	2.989
16	720 mm	W	990	1.156	1.188	1.320	1.452	1.484	2.622	2.902	3.182
17	765 mm	W	1.050	1.226	1.260	1.400	1.540	1.574	2.781	3.078	3.375
18	810 mm	W	1.110	1.296	1.332	1.480	1.628	1.664	2.940	3.254	3.568
19	855 mm	W	1.170	1.366	1.404	1.560	1.716	1.754	3.099	3.430	3.761
20	900 mm	W	1.230	1.436	1.476	1.640	1.804	1.844	3.258	3.606	3.954
21	945 mm	W	1.290	1.506	1.548	1.720	1.892	1.934	3.417	3.782	4.147
22	990 mm	W	1.350	1.576	1.620	1.800	1.980	2.024	3.576	3.958	4.340
23	1035 mm	W	1.410	1.646	1.692	1.880	2.068	2.114	3.735	4.134	4.533
24	1080 mm	W	1.470	1.716	1.764	1.960	2.156	2.204	3.894	4.310	4.726
25	1125 mm	W	1.530	1.786	1.836	2.040	2.244	2.294	4.053	4.486	4.919
26	1170 mm	W	1.590	1.856	1.908	2.120	2.332	2.384	4.212	4.662	5.112
27	1215 mm	W	1.650	1.926	1.980	2.200	2.420	2.474	4.371	4.838	5.305
28	1260 mm	W	1.710	1.996	2.052	2.280	2.508	2.564	4.530	5.014	5.498
29	1305 mm	W	1.770	2.066	2.124	2.360	2.596	2.654	4.689	5.190	5.691
30	1350 mm	W	1.830	2.136	2.196	2.440	2.684	2.744	4.848	5.366	5.884
31	1395 mm	W	1.890	2.206	2.268	2.520	2.772	2.834	5.007	5.542	6.077
32	1440 mm	W	1.950	2.276	2.340	2.600	2.860	2.924	5.166	5.718	6.270
33	1485 mm	W	2.010	2.346	2.412	2.680	2.948	3.014	5.325	5.894	6.463
34	1530 mm	W	2.070	2.416	2.484	2.760	3.036	3.104	5.484	6.070	6.656
35	1575 mm	W	2.130	2.486	2.556	2.840	3.124	3.194	5.643	6.246	6.849
36	1620 mm	W	2.190	2.556	2.628	2.920	3.212	3.284	5.802	6.422	7.042
37	1665 mm	W	2.250	2.626	2.700	3.000	3.300	3.374	5.961	6.598	7.235
38	1710 mm	W	2.310	2.696	2.772	3.080	3.388	3.464	6.120	6.774	7.428
39	1755 mm	W	2.370	2.766	2.844	3.160	3.476	3.554	6.279	6.950	7.621
40	1800 mm	W	2.430	2.836	2.916	3.240	3.564	3.644	6.438	7.126	7.814

Original Plus - 5 Colonne/Columns



I radiatori Original Plus vengono forniti con i seguenti accessori compresi nel prezzo:

4 riduzioni G 1 1/4" - G 1/2" montate e collaudate in azienda, 1 tappo cieco G 1/2", 1 valvolina di sfianto orientabile.

La larghezza indicata non tiene conto dell'ingombro delle riduzioni.

Original Plus radiators are supplied with the following accessories included in the price:

4 reductions G 1 1/4" - G 1/2" mounted and tested in the company, 1 blind plug G 1/2", 1 adjustable vent valve.

The indicated width does not take into account the size of the reductions.



<Original Plus 5 C.> Elemento interno/Internal element

Altezza/Height H (mm)	570	670	685	770	870	885	1670	1870	2070
Interasse/Con. cent N (mm)	500	600	615	700	800	815	1600	1800	2000
Peso/Weight P (Kg)	1,54	1,72	1,74	2,02	2,15	2,17	4,40	4,99	5,20
Capacità/Capacity (l)	0,90	1,05	1,07	1,14	1,28	1,30	2,20	2,44	2,67
Esponente/Exponent n	1,26	1,23	1,23	1,28	1,23	1,23	1,30	1,30	1,29
Resa termica/Power Δt 50K (75/65/20 °C)	77	91	93	101	114	116	205	227	249

<Original Plus 5 C.> Elemento esterno/External element

Altezza/Height H (mm)	570	670	685	770	870	885	1670	1870	2070
Interasse/Con. cent N (mm)	500	600	615	700	800	815	1600	1800	2000
Peso/Weight P (Kg)	2,17	2,45	2,51	2,80	3,15	3,20	5,98	6,70	7,41
Capacità/Capacity (l)	1,28	1,51	1,54	1,67	1,90	1,93	3,50	3,92	4,32
Esponente/Exponent n	1,31	1,28	1,28	1,33	1,28	1,28	1,35	1,35	1,34
Resa termica/Power Δt 50K (75/65/20 °C)	90	107	109	119	134	136	241	268	293

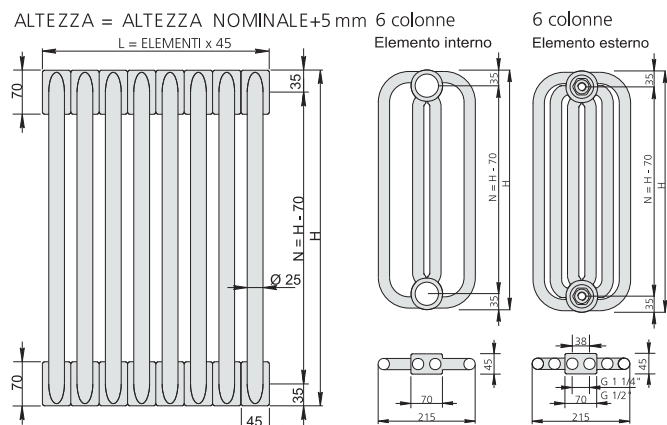
■ Misure per sostituzione radiatori in alluminio/Measures for replacing aluminum radiators

■ Misure per sostituzione radiatori in ghisa/Measures for replacing cast iron radiators

Original Plus 5 C. - Altezze per sostituzione/Heights for substitution

Nr. El.		Altezza/Height H (mm)									
		L= mm	570	670	685	770	870	885	1670	1870	2070
3	W	135 mm	257	305	311	339	382	388	687	763	835
4	W	180 mm	334	396	404	440	496	504	892	990	1.084
5	W	225 mm	411	487	497	541	610	620	1.097	1.217	1.333
6	W	270 mm	488	578	590	642	724	736	1.302	1.444	1.582
7	W	315 mm	565	669	683	743	838	852	1.507	1.671	1.831
8	W	360 mm	642	760	776	844	952	968	1.712	1.898	2.080
9	W	405 mm	719	851	869	945	1.066	1.084	1.917	2.125	2.329
10	W	450 mm	796	942	962	1.046	1.180	1.200	2.122	2.352	2.578
11	W	495 mm	873	1.033	1.055	1.147	1.294	1.316	2.327	2.579	2.827
12	W	540 mm	950	1.124	1.148	1.248	1.408	1.432	2.532	2.806	3.076
13	W	585 mm	1.027	1.215	1.241	1.349	1.522	1.548	2.737	3.033	3.325
14	W	630 mm	1.104	1.306	1.334	1.450	1.636	1.664	2.942	3.260	3.574
15	W	675 mm	1.181	1.397	1.427	1.551	1.750	1.780	3.147	3.487	3.823
16	W	720 mm	1.258	1.488	1.520	1.652	1.864	1.896	3.352	3.714	4.072
17	W	765 mm	1.335	1.579	1.613	1.753	1.978	2.012	3.557	3.941	4.321
18	W	810 mm	1.412	1.670	1.706	1.854	2.092	2.128	3.762	4.168	4.570
19	W	855 mm	1.489	1.761	1.799	1.955	2.206	2.244	3.967	4.395	4.819
20	W	900 mm	1.566	1.852	1.892	2.056	2.320	2.360	4.172	4.622	5.068
21	W	945 mm	1.643	1.943	1.985	2.157	2.434	2.476	4.377	4.849	5.317
22	W	990 mm	1.720	2.034	2.078	2.258	2.548	2.592	4.582	5.076	5.566
23	W	1035 mm	1.797	2.125	2.171	2.359	2.662	2.708	4.787	5.303	5.815
24	W	1080 mm	1.874	2.216	2.264	2.460	2.776	2.824	4.992	5.530	6.064
25	W	1125 mm	1.951	2.307	2.357	2.561	2.890	2.940	5.197	5.757	6.313
26	W	1170 mm	2.028	2.398	2.450	2.662	3.004	3.056	5.402	5.984	6.562
27	W	1215 mm	2.105	2.489	2.543	2.763	3.118	3.172	5.607	6.211	6.811
28	W	1260 mm	2.182	2.580	2.636	2.864	3.232	3.288	5.812	6.438	7.060
29	W	1305 mm	2.259	2.671	2.729	2.965	3.346	3.404	6.017	6.665	7.309
30	W	1350 mm	2.336	2.762	2.822	3.066	3.460	3.520	6.222	6.892	7.558
31	W	1395 mm	2.413	2.853	2.915	3.167	3.574	3.636	6.427	7.119	7.807
32	W	1440 mm	2.490	2.944	3.008	3.268	3.688	3.752	6.632	7.346	8.056
33	W	1485 mm	2.567	3.035	3.101	3.369	3.802	3.868	6.837	7.573	8.305
34	W	1530 mm	2.644	3.126	3.194	3.470	3.916	3.984	7.042	7.800	8.554
35	W	1575 mm	2.721	3.217	3.287	3.571	4.030	4.100	7.247	8.027	8.803
36	W	1620 mm	2.798	3.308	3.380	3.672	4.144	4.216	7.452	8.254	9.052
37	W	1665 mm	2.875	3.399	3.473	3.773	4.258	4.332	7.657	8.481	9.301
38	W	1710 mm	2.952	3.490	3.566	3.874	4.372	4.448	7.862	8.708	9.550
39	W	1755 mm	3.029	3.581	3.659	3.975	4.486	4.564	8.067	8.935	9.799
40	W	1800 mm	3.106	3.672	3.752	4.076	4.600	4.680	8.272	9.162	10.048

Original Plus - 6 Colonne/Columns



I radiatori Original Plus vengono forniti con i seguenti accessori compresi nel prezzo:

4 riduzioni G 1 1/4" - G 1/2" montate e collaudate in azienda, 1 tappo cieco G 1/2", 1 valvolina di sfiato orientabile.

La larghezza indicata non tiene conto dell'ingombro delle riduzioni.

Original Plus radiators are supplied with the following accessories included in the price:

4 reductions G 1 1/4" - G 1/2" mounted and tested in the company, 1 blind plug G 1/2", 1 adjustable vent valve.

The indicated width does not take into account the size of the reductions.



<Original Plus 6 C.> Elemento interno/Internal element

Altezza/Height H (mm)	570	670	685	770	870	885	1670	1870	2070
Interasse/Con. cent N (mm)	500	600	615	700	800	815	1600	1800	2000
Peso/Weight P (Kg)	1,93	2,20	2,22	2,56	2,73	2,78	5,17	5,80	6,20
Capacità/Capacity (l)	1,11	1,31	1,34	1,45	1,63	1,66	2,85	3,17	3,50
Esponente/Exponent n	1,25	1,18	1,18	1,26	1,18	1,18	1,26	1,26	1,25
Resa termica/Power Δt 50K (75/65/20 °C)	91	107	111	121	136	139	242	268	294

<Original Plus 6 C.> Elemento esterno/External element

Altezza/Height H (mm)	570	670	685	770	870	885	1670	1870	2070
Interasse/Con. cent N (mm)	500	600	615	700	800	815	1600	1800	2000
Peso/Weight P (Kg)	2,54	2,96	3,03	3,38	3,80	3,87	7,14	7,98	8,83
Capacità/Capacity (l)	1,49	1,75	1,79	1,97	2,22	2,26	4,12	4,60	5,16
Esponente/Exponent n	1,35	1,28	1,28	1,37	1,28	1,28	1,37	1,36	1,35
Resa termica/Power Δt 50K (75/65/20 °C)	108	127	130	143	161	164	285	316	345

■ Misure per sostituzione radiatori in alluminio/Measures for replacing aluminum radiators

■ Misure per sostituzione radiatori in ghisa/Measures for replacing cast iron radiators

Original Plus 6 C. - Altezze per sostituzione/Heights for substitution

Nr. El.		Altezza/Height H (mm)								
		L= mm	570	670	685	770	870	885	1670	1870
3	W	307	361	371	407	458	467	812	900	984
135 mm										
4	W	398	468	482	528	594	606	1.054	1.168	1.278
180 mm										
5	W	489	575	593	649	730	745	1.296	1.436	1.572
225 mm										
6	W	580	682	704	770	866	884	1.538	1.704	1.866
270 mm										
7	W	671	789	815	891	1.002	1.023	1.780	1.972	2.160
315 mm										
8	W	762	896	926	1.012	1.138	1.162	2.022	2.240	2.454
360 mm										
9	W	853	1.003	1.037	1.133	1.274	1.301	2.264	2.508	2.748
405 mm										
10	W	944	1.110	1.148	1.254	1.410	1.440	2.506	2.776	3.042
450 mm										
11	W	1.035	1.217	1.259	1.375	1.546	1.579	2.748	3.044	3.336
495 mm										
12	W	1.126	1.324	1.370	1.496	1.682	1.718	2.990	3.312	3.630
540 mm										
13	W	1.217	1.431	1.481	1.617	1.818	1.857	3.232	3.580	3.924
585 mm										
14	W	1.308	1.538	1.592	1.738	1.954	1.996	3.474	3.848	4.218
630 mm										
15	W	1.399	1.645	1.703	1.859	2.090	2.135	3.716	4.116	4.512
675 mm										
16	W	1.490	1.752	1.814	1.980	2.226	2.274	3.958	4.384	4.806
720 mm										
17	W	1.581	1.859	1.925	2.101	2.362	2.413	4.200	4.652	5.100
765 mm										
18	W	1.672	1.966	2.036	2.222	2.498	2.552	4.442	4.920	5.394
810 mm										
19	W	1.763	2.073	2.147	2.343	2.634	2.691	4.684	5.188	5.688
855 mm										
20	W	1.854	2.180	2.258	2.464	2.770	2.830	4.926	5.456	5.982
900 mm										
21	W	1.945	2.287	2.369	2.585	2.906	2.969	5.168	5.724	6.276
945 mm										
22	W	2.036	2.394	2.480	2.706	3.042	3.108	5.410	5.992	6.570
990 mm										
23	W	2.127	2.501	2.591	2.827	3.178	3.247	5.652	6.260	6.864
1035 mm										
24	W	2.218	2.608	2.702	2.948	3.314	3.386	5.894	6.528	7.158
1080 mm										
25	W	2.309	2.715	2.813	3.069	3.450	3.525	6.136	6.796	7.452
1125 mm										
26	W	2.400	2.822	2.924	3.190	3.586	3.664	6.378	7.064	7.746
1170 mm										
27	W	2.491	2.929	3.035	3.311	3.722	3.803	6.620	7.332	8.040
1215 mm										
28	W	2.582	3.036	3.146	3.432	3.858	3.942	6.862	7.600	8.334
1260 mm										
29	W	2.673	3.143	3.257	3.553	3.994	4.081	7.104	7.868	8.628
1305 mm										
30	W	2.764	3.250	3.368	3.674	4.130	4.220	7.346	8.136	8.922
1350 mm										
31	W	2.855	3.357	3.479	3.795	4.266	4.359	7.588	8.404	9.216
1395 mm										
32	W	2.946	3.464	3.590	3.916	4.402	4.498	7.830	8.672	9.510
1440 mm										
33	W	3.037	3.571	3.701	4.037	4.538	4.637	8.072	8.940	9.804
1485 mm										
34	W	3.128	3.678	3.812	4.158	4.674	4.776	8.314	9.208	10.098
1530 mm										
35	W	3.219	3.785	3.923	4.279	4.810	4.915	8.556	9.476	10.392
1575 mm										
36	W	3.310	3.892	4.034	4.400	4.946	5.054	8.798	9.744	10.686
1620 mm										
37	W	3.401	3.999	4.145	4.521	5.082	5.193	9.040	10.012	10.980
1665 mm										
38	W	3.492	4.106	4.256	4.642	5.218	5.332	9.282	10.280	11.274
1710 mm										
39	W	3.583	4.213	4.367	4.763	5.354	5.471	9.524	10.548	11.568
1755 mm										
40	W	3.674	4.320	4.478	4.884	5.490	5.610	9.766	10.816	11.862
1800 mm										